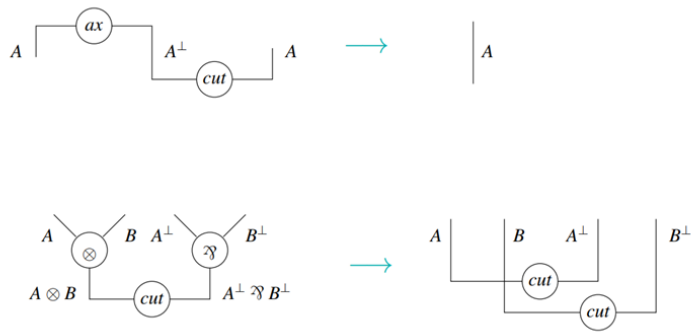


# Proof-nets reduction

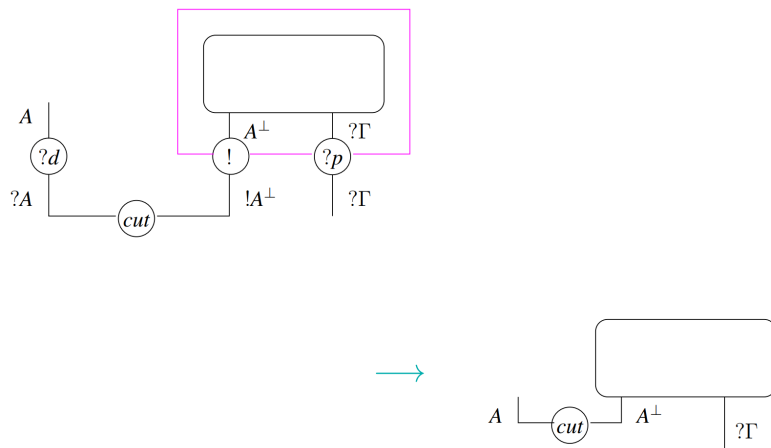
Wednesday, March 10, 2021 1:35 PM

## Multiplicative steps

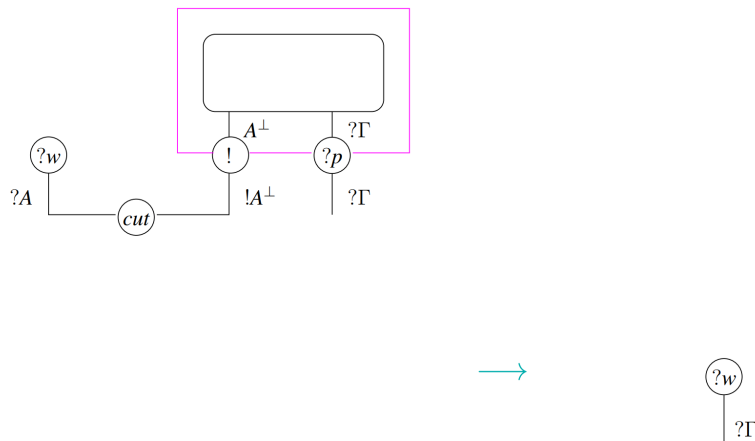


## Exponential steps

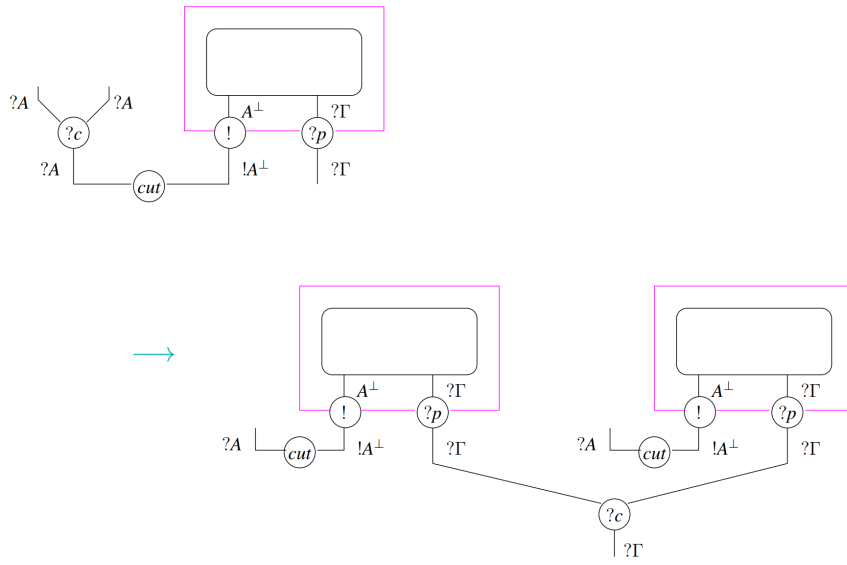
### Reduction Steps: $?d$



### Reduction Steps: $?w$



## Reduction Steps: $?c$



## Reduction Steps: $?p$

